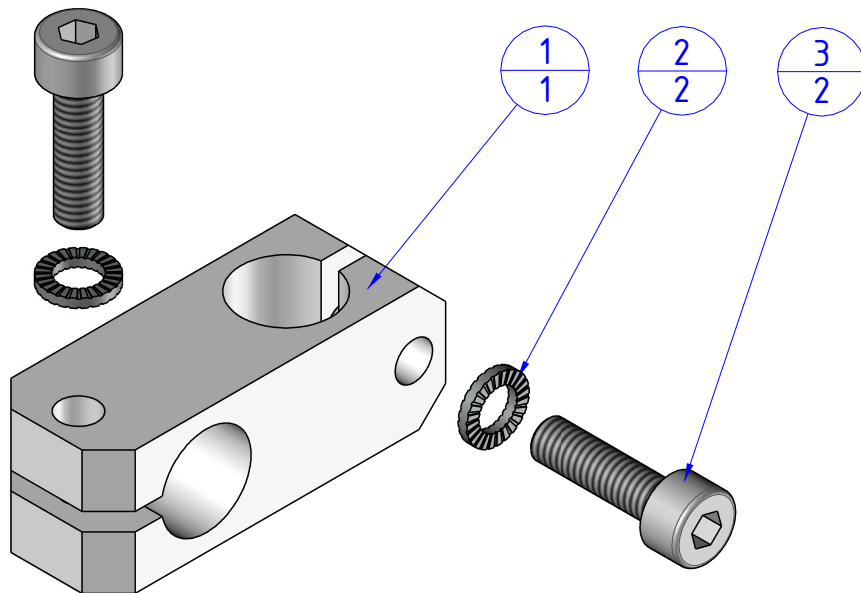
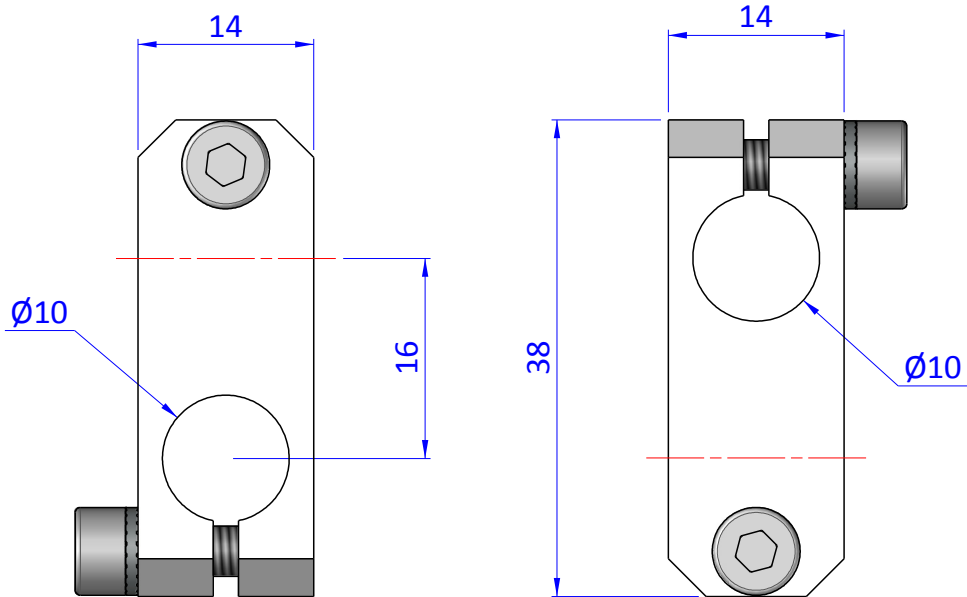

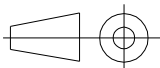


THE PROPERTY OF THE DRAWING IS ESTABLISHED BY LAW. IT IS FORBIDDEN TO PRODUCE OR SHOW IT TO THIRD PART. WITHOUT A WRITTEN AGREEMENT.

Item	Name	Q.ty
1	KKS.10.10	1
2	R.4.SCH	2
3	V.TCE4x14	2



<b>Format</b> A4  <b>UNI 936-76</b>					DESIGNED FROM <b>FPSERVICES</b>	REVIEW <b>A</b>
	GENERAL TOLERANCE UNI - ISO 2768 CLASSE f		DESCRIPTION CA.KKS.10.10		DATE 30/04/2016	WEIGHT 0,016kg
					CODE CA.KKS.10.10	